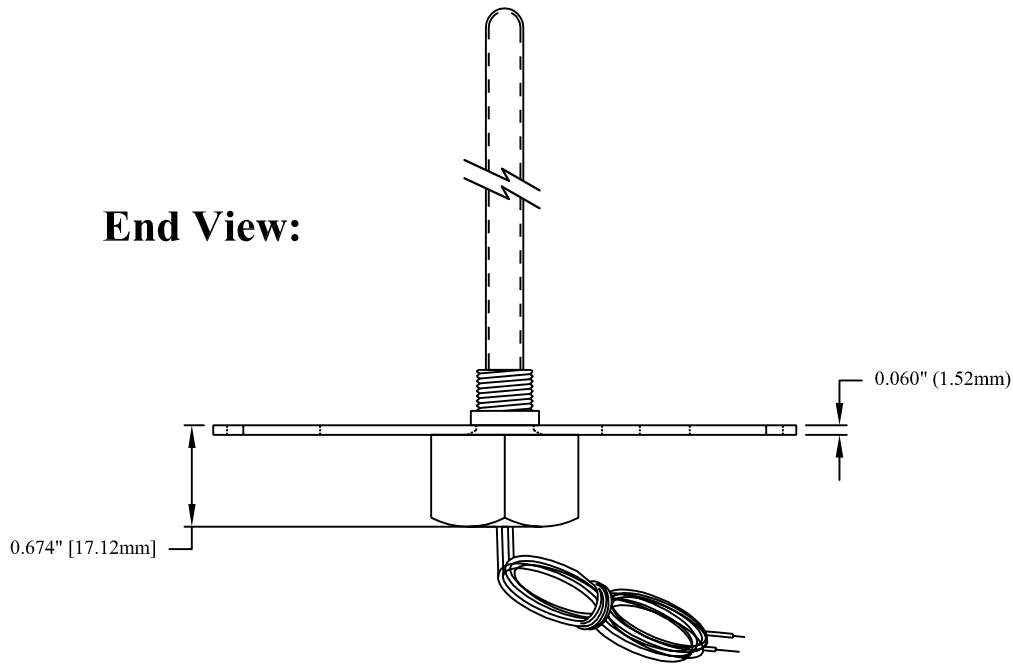


End View:



Top View:

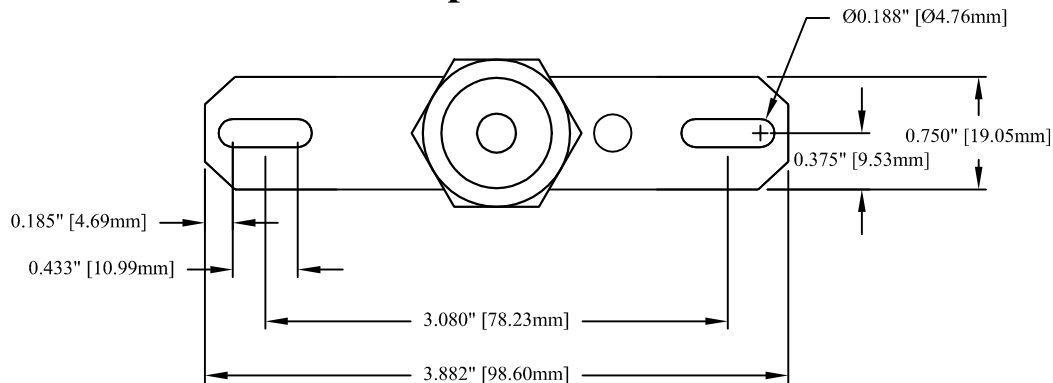
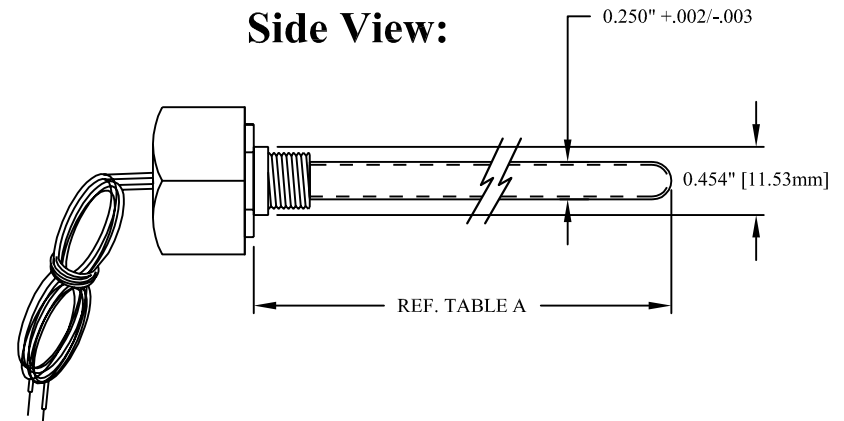


TABLE A

Probe Length	Ref A (Insertion Length)
4"	3.88" ± 0.13"
6"	5.88" ± 0.13"
8"	7.88" ± 0.13"
12"	11.82" ± 0.25"
18"	17.82" ± 0.25"
24"	23.82" ± 0.25"

Side View:



<p>TOLERANCE: (UNLESS NOTED) 3 PLACE DECIMAL = ±0.010 2 PLACE DECIMAL = ±0.130 1 PLACE DECIMAL = ±0.300 ALL DIMENSIONS IN INCHES. DRAWING NOT TO SCALE.</p>		<p>WARNING! CONFIDENTIAL INFORMATION-- PROPERTY OF ACI. UNAUTHORIZED USE STRICTLY FORBIDDEN.</p>		<p>ACI <i>Automation Components, Inc.</i></p>		<p>DRAWING NUMBER M0000002</p>	
DATE	DESCRIPTION	DRAWN BY	APPROVED BY			DRAWING NUMBER	REV
3-14-08	DUCT TEMP. w/o BOX	DJK	TJD	M0000002	3		